

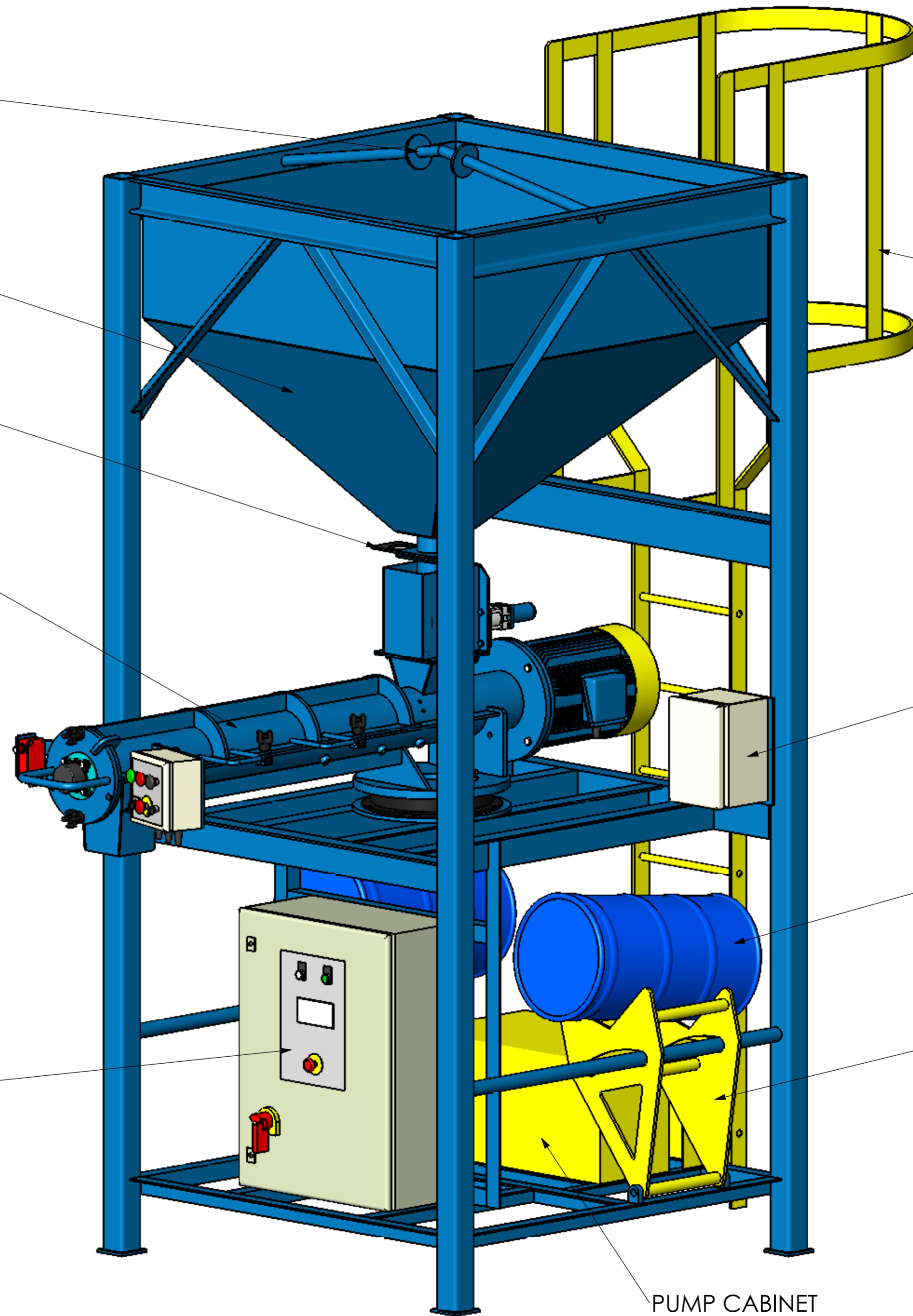
LIFTING BRACE

HOPPER

SLIDE GATE

MIXER - TS5

CONTROL CABINET



ACCESS LADDER

'PART 3' STORAGE

STORAGE DRUM

DRUM SUPPORT CRADLE

PUMP CABINET

FMS Foundry Machinery and Spares
 Unit H, Fryers Close, Walsall, West Midlands. WS3 2XQ
 Phone +44 (0)1922 493603 Fax +44 (0)1922 713729

TOLERANCES UNLESS OTHERWISE STATED		
DIMENSIONS IN MM	MACHINED	UNMACHINED
UP TO 20	±0.10	±0.5
ABOVE 20 TO 50	±0.15	±0.75
ABOVE 50 TO 200	±0.20	±1.0
ABOVE 200 TO 500	±0.40	±1.25
ABOVE 500 TO 1000	±0.60	±1.5
1000 AND ABOVE	±0.80	±2.0

THIS DRAWING IN DESIGN + DETAIL IS THE PROPERTY OF FOUNDRY MACHINERY & SPARES LTD AND IS INTENDED SOLELY FOR THE USE OF THE PERSON OR COMPANY TO WHOM IT IS ISSUED. IN NO EVENT SHALL IT BE COPIED OR LOANED WITHOUT THE EXPRESS PERMISSION OF FOUNDRY MACHINERY & SPARES LTD

TITLE: G.A. of MIXER + HOPPER		
PROJECT: PORTABLE MIXER		
SHEET SIZE: A2	SCALE: 1:10	REVISION
DRAWING No.		
FMS-0109-01		

DRAWN: A.P.E. DATE: JULY 08